

Drywall Accessories

Section: 09260

Corner Bead

Product Number	Dimensions/Descriptions	Pieces Per Box
209	Drywall corner bead, 1-1/4" x 1-1/4" (32 x 32 mm) flange.	100

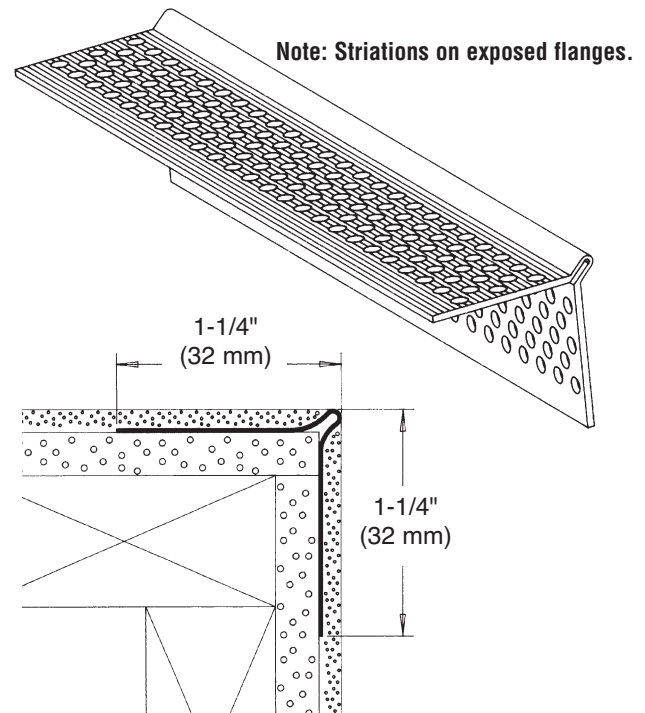
8' & 10' (2.5 & 3 m) Lengths

Application: 209

To be used on all outside corners. Rust and impact resistant. Tapered legs are perforated and striated for better adhesion; eliminates the need to tape the flange. Prevents electrolysis.

Specifications:

Bullnose Inside Corner Bead shall be Plastic Components, Inc. #209. All drywall accessories shall conform to ASTM standards D3678 and C1047. All products shall be third party tested to meet ASTM standard D4216 and be Canadian Code Compliant. Finish compatible with drywall mud and all paint finishes. They shall be used where specified by the architect and installed per industry standards.



Arch Corner Bead

Product Number	Dimensions/Descriptions	Pieces Per Box
209A	Drywall corner bead, 1-1/4" x 1-1/4" (32 mm x 32 mm) flange. One flange is slotted.	100

8' & 10' (2.5 & 3 m) Lengths

Application: 209A

To be used where a curve or arch is formed. Pre-slotted flange allows for perfect arches. Tapered flanges are perforated and striated for better adhesion; eliminates the need to tape the flange.

Specifications:

Arch Bead shall be Plastic Components, Inc. #209A. All drywall accessories shall conform to ASTM standards D3678 and C1047. All products shall be third party tested to meet ASTM standard D4216 and be Canadian Code Compliant. Finish compatible with drywall mud and all paint finishes. They shall be used where specified by the architect and installed per industry standards.

